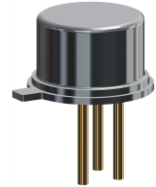
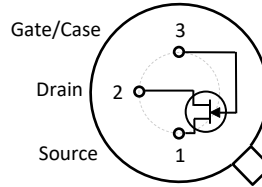


## IF9030 N-Channel JFET

### Features

- InterFET [N0903L Geometry](#)
- Low Noise: 0.7 nV/√Hz Typical
- High Gain: 150mS Typical
- Low  $R_{ds(on)}$ : 6.0 Ohms Typical
- RoHS Compliant
- SMT, TH, and Bare Die Package options.

TO-52 Bottom View



### Applications

- Low-Noise, High Gain Amplifiers

### Description

The -20V InterFET IF9030 JFET is targeted for low noise high gain amplifier designs. The IF9030 has a cutoff voltage of less than 2.0V ideal for low voltage applications. The TO-52 package is hermetically sealed and suitable for military applications.

### Product Summary

Parameters		IF9030 Min	Unit
$BV_{GSS}$	Gate to Source Breakdown Voltage	-20	V
$I_{DSS}$	Drain to Source Saturation Current	30	mA
$V_{GS(off)}$	Gate to Source Cutoff Voltage	-0.35	V
$G_{FS}$	Forward Transconductance	80	mS

### Ordering Information Custom Part and Binning Options Available

Part Number	Description	Case	Packaging
IF9030T52	Through-Hole	TO-52	Bulk
IF9030COT	Chip Orientated Tray (COT Waffle Pack)	COT	400/Waffle Pack
IF9030CFT	Chip Face-up Tray (CFT Waffle Pack)	CFT	400/Waffle Pack



**Disclaimer:** It is the Buyers responsibility for designing, validating and testing the end application under all field use cases and extreme use conditions. Guaranteeing the application meets required standards, regulatory compliance, and all safety and security requirements is the responsibility of the Buyer. These resources are subject to change without notice.

## Electrical Characteristics

### Maximum Ratings (@ $T_A = 25^\circ\text{C}$ , Unless otherwise specified)

Parameters	Value	Unit
$V_{RGS}$ Reverse Gate Source and Gate Drain Voltage	-20	V
$I_{FG}$ Continuous Forward Gate Current	10	mA
$P_D$ Continuous Device Power Dissipation	300	mW
$P$ Power Derating	2.4	mW/ $^\circ\text{C}$
$T_J$ Operating Junction Temperature	-55 to 125	$^\circ\text{C}$
$T_{STG}$ Storage Temperature	-65 to 200	$^\circ\text{C}$

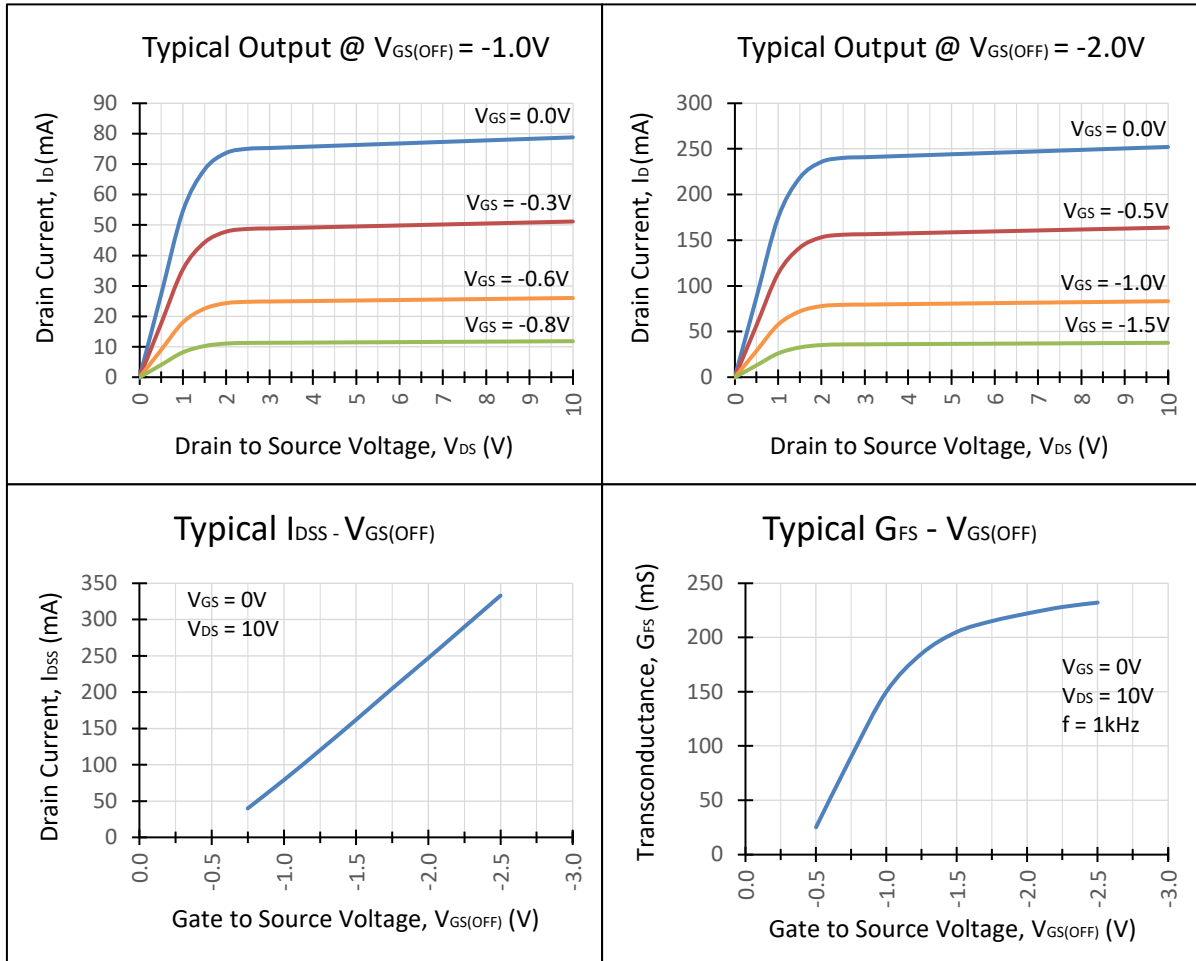
### Static Characteristics (@ $T_A = 25^\circ\text{C}$ , Unless otherwise specified)

Parameters	Conditions	Min	Typ	Max	Unit
$V_{(BR)GSS}$ Gate to Source Breakdown Voltage	$V_{DS} = 0V, I_G = -1\mu\text{A}$	-20			V
$I_{GSS}$ Gate to Source Reverse Current	$V_{GS} = -10V, V_{DS} = 0V$			-0.1	nA
$V_{GS(OFF)}$ Gate to Source Cutoff Voltage	$V_{DS} = 10V, I_D = 0.5\text{nA}$	-0.35		-2.0	V
$I_{DSS}$ Drain to Source Saturation Current	$V_{GS} = 0V, V_{DS} = 10V$ (Pulsed)	30	100	300	mA

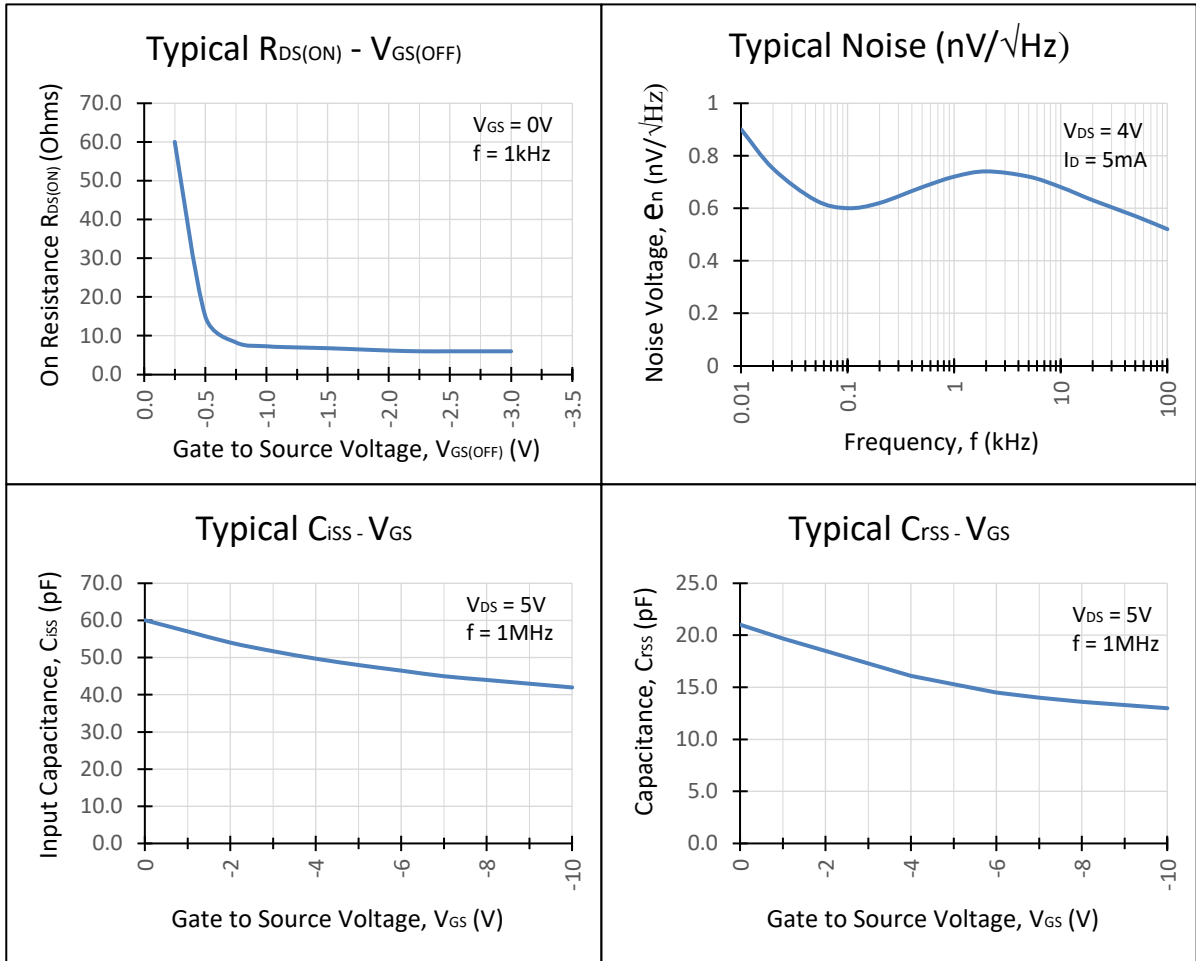
### Dynamic Characteristics (@ $T_A = 25^\circ\text{C}$ , Unless otherwise specified)

Parameters	Conditions	Min	Typ	Max	Unit
$G_{FS}$ Forward Transconductance	$V_{DS} = 10V, V_{GS} = 0V, f = 1\text{kHz}$	80	150		mS
$C_{iss}$ Input Capacitance	$V_{DS} = 10V, I_D = 5\text{mA}, f = 1\text{MHz}$			60	pF
$C_{rss}$ Reverse Transfer Capacitance	$V_{DS} = 10V, I_D = 5\text{mA}, f = 1\text{MHz}$			20	pF
$e_n$ Equivalent Circuit Input Noise Voltage	$V_{DS} = 4V, I_D = 5\text{mA}, f = 1\text{kHz}$		0.7		nV/ $\sqrt{\text{Hz}}$

## Typical IF9030 Characteristics

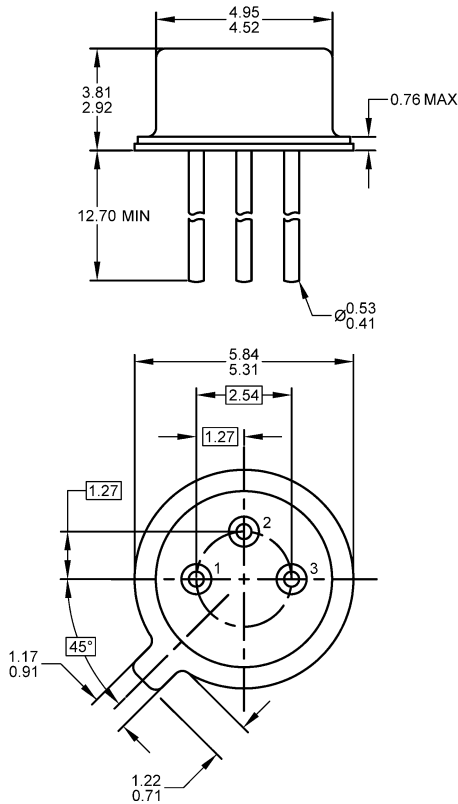


**Typical IF9030 Characteristics (Continued)**



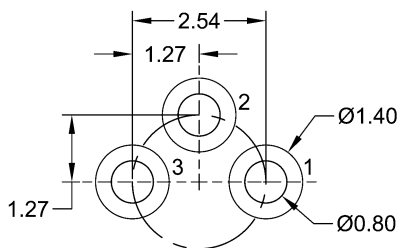
## TO-52 Mechanical and Layout Data

### Package Outline Data



1. All linear dimensions are in millimeters.
2. Package weight approximately 0.26 grams
3. Bulk product is shipped in standard ESD shipping material
4. Refer to JEDEC standards for additional information.

### Suggested Through-Hole Layout



1. All linear dimensions are in millimeters.
2. The suggested land pattern dimensions have been provided as a straight lead reference only. A more robust pattern may be desired for wave soldering and/or bent lead configurations.